

VIRIBRIGHT

The bright side of light

Benchmark LED PAR38 E26 18W



Viribright™ Benchmark LED PAR38 E26 18W is replacement for 75W incandescent and 18-25W CFL bulbs and provides up to 80% energy savings over incandescent. With long life, low energy consumption, no hazardous mercury, Viribright™ Benchmark LED PAR38 E26 18W is setting the benchmark for price and performance.

General Specifications

Product Part #	73494	73495	73493
Bulb Type	PAR38	PAR38	PAR38
Base Type	E26	E26	E26
Correlated Color (Kelvin)	2800	4000	6000
Approximate Lumens (Lm)	1100	1400	1400
CRI	>80	>80	>80
Efficacy (Lm/W)	61.1	77.7	77.7
Beam Angle (°)	90°	90°	90°

Electrical Characteristics

Wattage	18W
Voltage	110 - 120VAC 60Hz
Power Factor	>0.9
Dimming	10% - 100%
Operating Temperature (°C)	-20° to 45°
Storage Temperature (°C)	-40° to 85°

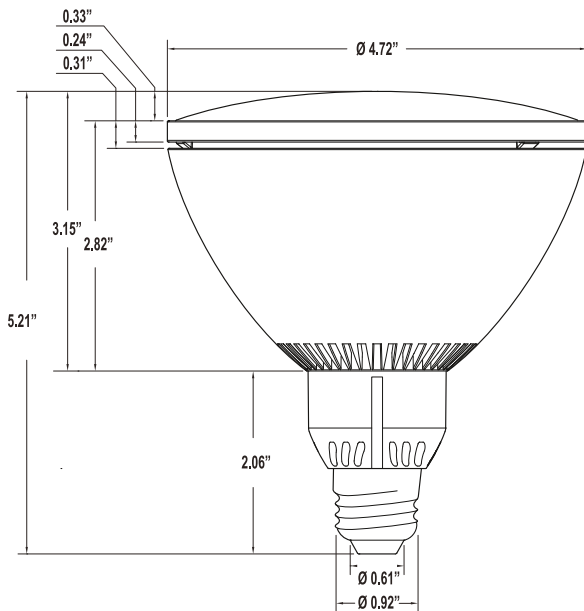
Mechanical Specifications

Diameter (inch)	4.72
Height (inch)	5.21
Weight (lbs)	0.875

Lifetime and Warranty

Life to 70% Lumens (hr) LED	50,000
Lifetime (hr) Integral Lamp	25,000
Warranty	3 Years

LM79-08 and IES files available on request or downloadable from the Viribright™ website address listed below. Meets or exceeds Energy Star specifications. Specifications are subject to change without notice.



Features and Benefits

- 1100 - 1400 Lumens
- Consumes up to 80% Less Energy
- Omini-Directional
- Can last over 25,000 hours
- Cool to touch
- Contains No Mercury
- Pending UL Approval
- Shatterproof Design
- Red Enhanced CRI





Ordering and Logistics

Product	UPC
73494	9588823734940
73495	9588823734957
73493	9588823734933
Units per case (Qty. ea.)	12
Case Dimensions (inch)	15.125 x 10.75 x 12
Case Weight (lbs)	15.65
Case Cube (cft.)	1.13

Applicable Markets

- Residential Lighting
- Commercial Lighting
- Hospitality Lighting

Applications

- Recessed Downlight
- Track Lighting
- General Illumination

Viribrigh™ Lighting Inc.

P: 877.847.4276 (Toll Free) | F: 951.279.4202
 Viribrigh™ Lighting Inc. | 391 N. Main Street #201 | Corona, CA 92879
www.viribrigh.com sales@viribrigh.com

