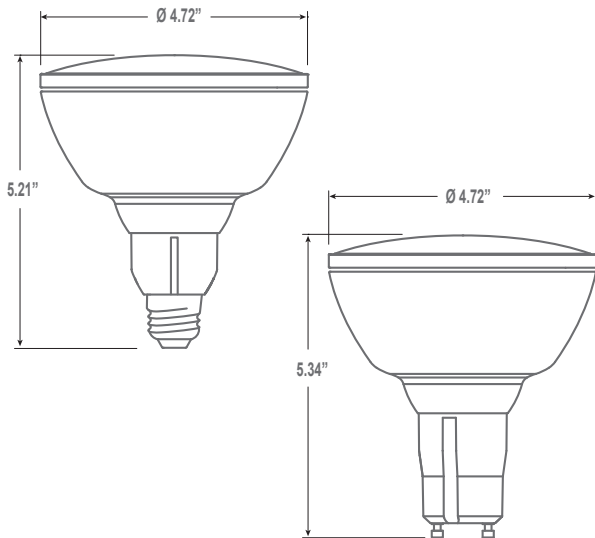


# VIRIBRIGHT

The bright side of light

## Benchmark LED PAR38 18W E26/GU24 (Outdoor)



Viribright™ Benchmark LED PAR38 E26/GU24 (Outdoor) 18W is replacement for 75W up to 100W incandescent lamps and are engineered for IP55 outdoor applications such as security area, and landscape applications. Providing up to 80% energy savings over incandescent and featuring extra-long life, low energy consumption Viribright™ Benchmark LED PAR38 E26/GU24 (Outdoor) 18W is setting the benchmark for price and performance.

### General Specifications

Product Part #	(E26)	73532	73533	73534
	(GU24)	73529	73530	73531
Bulb Type	PAR38	PAR38	PAR38	PAR38
Correlated Color (Kelvin)	2800	4000	6000	
Approximate Lumens (Lm)	1300	1500	1500	
CRI	>80	>80	>80	
Efficacy (Lm/W)	72.2	83.3	83.3	
Beam Angle (°)	90°	90°	90°	

### Electrical Characteristics

Wattage	18W
Voltage	110 - 120VAC 60Hz
Power Factor	>0.9
Dimming	10% - 100%
Operating Temperature (°C)	-20° to 45°
Storage Temperature (°C)	-40° to 85°

### Mechanical Specifications

	(E26)	(GU24)
Diameter (inch)	4.72	4.72
Height (inch)	5.21	5.34
Weight (lbs)	1	1.05

### Features and Benefits

- 1300 - 1500 Lumens
- Outdoor Rated IP55
- Consumes up to 80% Less Energy
- Can last over 25,000 hours
- Cool to touch
- Contains No Mercury
- Pending UL Approval
- Shatterproof Design
- Red Enhanced CRI

### Lifetime and Warranty

Life to 70% Lumens (hr) LED	50,000
Lifetime (hr) Integral Lamp	25,000
Warranty	3 Years

LM79-08 and IES files available on request or downloadable from the Viribright™ website address listed below. Meets or exceeds Energy Star specifications. Specifications are subject to change without notice.



# VIRIBRIGHT

The bright side of light



Benchmark LED PAR38 18W  
E26/GU24 (Outdoor)



F P O

## Ordering and Logistics

Product	UPC	Product	UPC
73532	818549012213	73529	818549012152
73533	818549012237	73530	818549012176
73534	818549012251	73531	818549012190
Units per case (Qty. ea.)	12		12
Case Dimensions (inch)	15.25 x 11 x 12.5		15.25 x 11 x 12.5
Case Weight (lbs)	17.129		17.129
Case Cube (cft.)	1.213		1.213

## Applicable Markets

- Residential Lighting
- Commercial Lighting
- Hospitality Lighting

## Applications

- Recessed Downlight
- Track Lighting
- General Illumination

## Viribright™ Lighting Inc.

P: 877.847.4276 (Toll Free) | F: 951.279.4202  
Viribright™ Lighting Inc. | 391 N. Main Street #201 | Corona, CA 92879  
[www.viribright.com](http://www.viribright.com) | [sales@viribright.com](mailto:sales@viribright.com)

