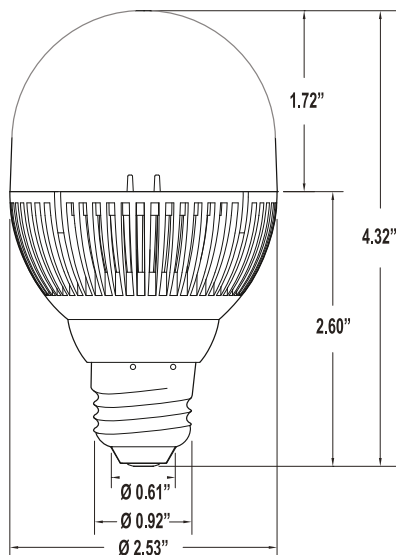


# VIRIBRIGHT

The bright side of light



## Benchmark LED A19 5W



Viribright™ Benchmark LED A19 5W is a direct replacement for 25W incandescent and 4-9W CFL bulbs and provides up to 85% energy savings over incandescent. With long life, low energy consumption, no hazardous mercury, Viribright™ Benchmark LED A19 5W is setting the benchmark for price and performance.

### General Specifications

Product Part #	73098	73113	73099
Bulb Type	A19	A19	A19
Base Type	E26	E26	E26
Correlated Color (Kelvin)	2800	4000	6000
Approximate Lumens (Lm)	300	360	360
CRI	>80	>80	>80
Efficacy (Lm/W)	60	72	72
Beam Angle (°)	270°	270°	270°

### Electrical Characteristics

Wattage	5W
Voltage	110 - 120VAC 60Hz
Power Factor	>0.8
Dimming	Non-Dimmable
Operating Temperature (°C)	-20° to 45°
Storage Temperature (°C)	-40° to 85°

### Mechanical Specifications

Diameter (inch)	2.53
Height (inch)	4.32
Weight (lbs)	0.25

### Lifetime and Warranty

Life to 70% Lumens (hr) LED	50,000
Lifetime (hr) Integral Lamp	25,000
Warranty	3 Years

### Features and Benefits

- 300 - 360 Lumens
- Consumes up to 85% Less Energy
- Omni-Directional
- Can last over 25,000 hours
- Cool to touch
- Contains No Mercury
- UL Listed
- Shatterproof Design
- Red Enhanced CRI

LM79-08 and IES files available on request or downloadable from the Viribright™ website address listed below. Meets or exceeds Energy Star specifications. Specifications are subject to change without notice.





### Ordering and Logistics

Product	UPC
73098	9588823730980
73113	9588823731130
73099	9588823730997
Units per case (Qty. ea.)	20
Case Dimensions (inch)	13.5 x 11 x 5.2
Case Weight (lbs)	7.5
Case Cube (cft.)	0.447

### Applicable Markets

- Residential Lighting
- Commercial Lighting
- Hospitality Lighting

### Applications

- Desk Lamps
- Table Lamps
- Floor Lamps
- Sconce Fixtures
- Vanity Lighting Fixtures

### Viribright™ Lighting Inc.

P: 877.847.4276 (Toll Free) | F: 951.279.4202  
 Viribright™ Lighting Inc. | 391 N. Main Street #201 | Corona, CA 92879  
[www.viribright.com](http://www.viribright.com)    [sales@viribright.com](mailto:sales@viribright.com)



# VIRIBRIGHT

The bright side of light

## Benchmark LED A19 8W



Viribright™ Benchmark LED A19 8W is a direct replacement for 40W incandescent and 9-13W CFL bulbs and provides up to 85% energy savings over incandescent. With long life, low energy consumption, no hazardous mercury, Viribright™ Benchmark LED A19 8W is setting the benchmark for price and performance.

### General Specifications

Product Part #	73422	73423	73421
Bulb Type	A19	A19	A19
Base Type	E26	E26	E26
Correlated Color (Kelvin)	2800	4000	6000
Approximate Lumens (Lm)	500	600	600
CRI	>80	>80	>80
Efficacy (Lm/W)	63	75	75
Beam Angle (°)	270°	270°	270°

### Electrical Characteristics

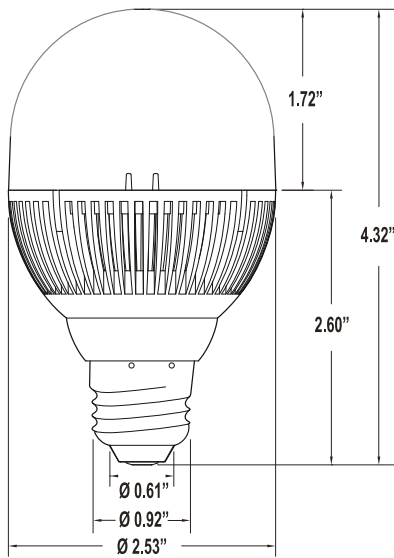
Wattage	8W
Voltage	110 - 120VAC 60Hz
Power Factor	>0.8
Dimming	10% - 100%
Operating Temperature (°C)	-20° to 45°
Storage Temperature (°C)	-40° to 85°

### Mechanical Specifications

Diameter (inch)	2.53
Height (inch)	4.32
Weight (lbs)	0.302

### Lifetime and Warranty

Life to 70% Lumens (hr) LED	50,000
Lifetime (hr) Integral Lamp	25,000
Warranty	3 Years



### Features and Benefits

- 500 - 600 Lumens
- Consumes up to 85% Less Energy
- Omini-Directional
- Can last over 25,000 hours
- Cool to touch
- Contains No Mercury
- UL Listed
- Shatterproof Design
- Red Enhanced CRI

LM79-08 and IES files available on request or downloadable from the Viribright™ website address listed below. Meets or exceeds Energy Star specifications. Specifications are subject to change without notice.



# VIRIBRIGHT

The bright side of light

## Benchmark LED A19 8W



### Ordering and Logistics

Product	UPC
73422	9588823734223
73423	9588823734230
73421	9588823734216
Units per case (Qty. ea.)	20
Case Dimensions (inch)	13.5 x 11 x 5.2
Case Weight (lbs)	7.71
Case Cube (cft.)	0.447

### Applicable Markets

- Residential Lighting
- Commercial Lighting
- Hospitality Lighting

### Applications

- Desk Lamps
- Table Lamps
- Floor Lamps
- Sconce Fixtures
- Vanity Lighting Fixtures

### Viribright™ Lighting Inc.

P: 877.847.4276 (Toll Free) | F: 951.279.4202  
Viribright™ Lighting Inc. | 391 N. Main Street #201 | Corona, CA 92879  
[www.viribright.com](http://www.viribright.com) | [sales@viribright.com](mailto:sales@viribright.com)

