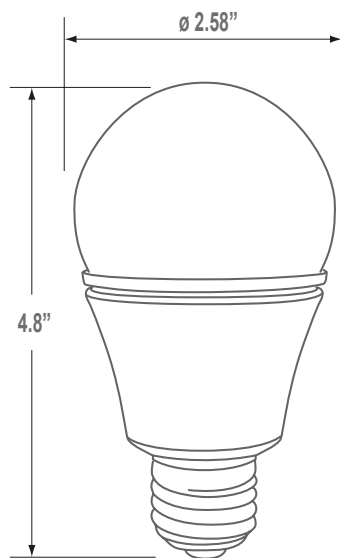


VIRIBRIGHT

The bright side of light

Benchmark LED A19 10W 60 Watt Replacement Lamp



Viribright™ Benchmark LED A19 10W E26 medium base is a direct replacement for 60W up to 75W incandescent and 18W CFL bulbs and provides up to 85% energy savings over incandescent. Viribright™ Benchmark LED A19 10W is a true omnidirectional A Lamp which replicates the look of incandescent and outshines CFL. With long life, low energy consumption, no hazardous mercury, Viribright™ Benchmark LED A19 10W is setting the benchmark for price and performance.

General Specifications

Product Part #	73547	73548	73549
Bulb Type	A19	A19	A19
Base Type	E26	E26	E26
Correlated Color (Kelvin)	2800	4000	6000
Approximate Lumens (Lm)	820	900	900
CRI	>80	>80	>80
Efficacy (Lm/W)	83.7	91.8	91.8
Beam Angle (°)	270°	270°	270°

Electrical Characteristics

Wattage	9.8W
Voltage	110 - 120VAC 60Hz
Power Factor	>0.8
Dimming	10% - 100% / 0% - 100%*
Operating Temperature (°C)	-20° to 45°
Storage Temperature (°C)	-40° to 85°

Mechanical Specifications

Diameter (inch)	2.58
Height (inch)	4.8
Weight (lbs)	0.41

Features and Benefits

- 820 - 900 Lumens
- Consumes up to 85% Less Energy
- Omini-Directional
- Can last over 25,000 hours
- Cool to touch
- Contains No Mercury
- Pending UL Approval
- Shatterproof Design
- Red Enhanced CRI

Lifetime and Warranty

Life to 70% Lumens (hr) LED	50,000
Lifetime (hr) Integral Lamp	25,000
Warranty	3 Years

LM79-08 and IES files available on request or downloadable from the Viribright™ website address listed below. Meets or exceeds Energy Star specifications. Specifications are subject to change without notice.

* This Lamp Dims to absolute zero with the Viribright Wall Dimmer P/# XXXXXXX. See dimmer compatibility chart online.





Ordering and Logistics

Product	UPC
73547	818549010974
73548	818549010998
73549	818549011018
Units per case (Qty. ea.)	20
Case Dimensions (inch)	18.5 x 14.8 x 7.3
Case Weight (lbs)	10.14
Case Cube (cft.)	1.157

Applicable Markets

- Residential Lighting
- Commercial Lighting
- Hospitality Lighting

Applications

- Desk Lamps
- Table Lamps
- Floor Lamps
- Sconce Fixtures
- Vanity Lighting Fixtures

Viribright™ Lighting Inc.

P: 877.847.4276 (Toll Free) | F: 951.279.4202
 Viribright™ Lighting Inc. | 391 N. Main Street #201 | Corona, CA 92879
www.viribright.com sales@viribright.com

