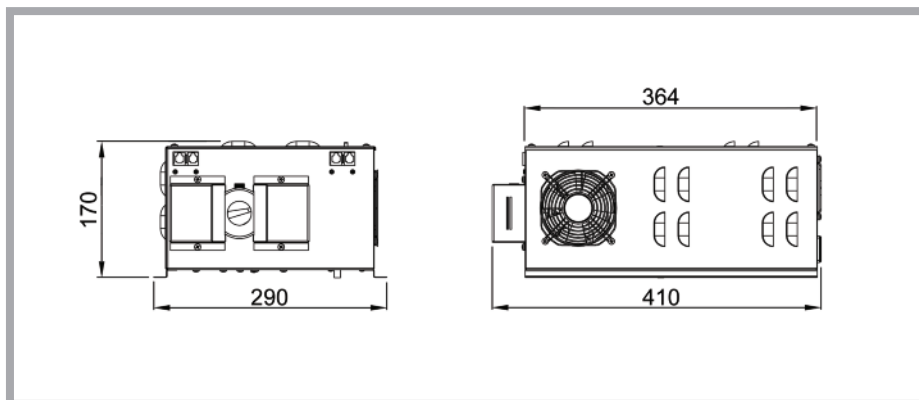


Light Source Specification



Ultima Metal Halide Light Source



A high performance 250W metal halide light source for the ultimate brightness. Suitable for decorative applications where high light output is necessary.

The Ultima can be used with glass fibre only in decorative applications. It is not suitable for use with polymer fibre or in conservation settings.

Description	
Port connector size	30mm diameter
Fibre type	Glass
Supply voltage	240 VAC 50 Hz
Lamp power	250W
Input power @240VAC	360VA
Start up current @ 240VAC	8.7A
Running current @ 240VAC	1.5A
Min. ambient temperature	-20°C
Max. ambient temperature	40°C
Thermal protection	Self reset thermal switch
Ballast type	Magnetic
Power cord	IEC mains cable
Main fuse	6.3 Amp
Fan type	Sunon DP200A
Lamp type	Metal halide
Lamp model	Philips MSD250/2
Lamp life	c. 3000h
Lamp colour temperature	8500K
Lamp CRI	70
Acoustic rating	47.5 dB(A)
Operating environment	Indoor / dry
Protection rating	IP20
Material	Sheet steel
Colour	Green
Size	364 x 259 x 162 mm
Weight	9.5kg



For current specification part numbers, please see the light source configuration tool on our website.