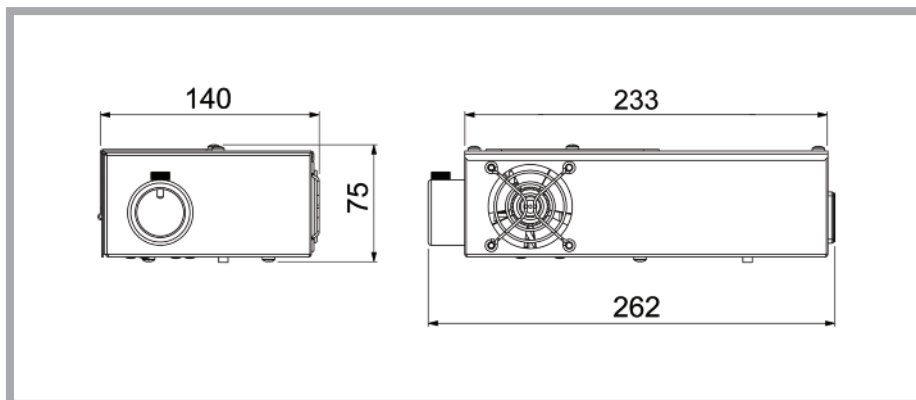


## Slimline Tungsten Halogen Light Source



A very compact tungsten halogen light source, the Slimline is suitable for use with either glass or polymer fibre.

Optionally available with a built in manual dimmer control, the Slimline is the perfect light source for use in display cases, models and cabinets.

The Slimline features low noise and heat output and is available with a choice of five lamp sizes - 35W, 42W, 50W, 75W or 100W.

Description	35W	42W	50W	75W	100W
Port connector size	30mm diameter	30mm diameter	30mm diameter	30mm diameter	30mm diameter
Fibre type	Glass/Polymer	Glass/Polymer	Glass/Polymer	Glass/Polymer	Glass/Polymer
Supply voltage	240 VAC 50 Hz 110 VAC 60Hz	240 VAC 50 Hz 110 VAC 60 Hz	240 VAC 50 Hz 110 VAC 60 Hz	240 VAC 50 Hz 110 VAC 60 Hz	240 VAC 50 Hz 110 VAC 60 Hz
Lamp power	35W	42W	50W	75W	100W
Input power @ 240VAC	33.6VA	40.8VA	69.6VA	91.2VA	127.2VA
Start up current @ 240VAC	0.149A	0.172A	0.31A	0.49A	0.73A
Running current @ 240VAC	0.14A	0.17A	0.29A	0.38A	0.53A
Min. ambient temperature	-20°C	-20°C	-20°C	-20°C	-20°C
Max. ambient temperature	40°C	40°C	40°C	40°C	40°C
Thermal protection	Thermal switch	Thermal switch	Thermal switch	Thermal switch	Thermal switch
Power cord	IEC mains cable	IEC mains cable	IEC mains cable	IEC mains cable	IEC mains cable
Main fuse	0.5A	0.5A	0.5A	0.63A	0.8A
Fan type	HA65251V4 000U-999 Sunon DC 12V F1002	HA65251V4 000U-999 Sunon DC 12V F1002	HA65251V4 000U-999 Sunon DC 12V F1002	HA65251V4 000U-999 Sunon DC 12V F1002	HA65251V4 000U-999 Sunon DC 12V F1002
Lamp type	MR16	MR16	MR16	MR16	MR16
Lamp model	FMT	Philips 13861	EXT	EYF	Osram 64637 GZ6.35
Lamp colour temperature	2950K	2900K	3000K	3000K	3000K
Operating environment	Indoor / dry	Indoor / dry	Indoor / dry	Indoor / dry	Indoor / dry
Protection rating	IP20	IP20	IP20	IP20	IP20
Material	Sheet steel	Sheet steel	Sheet steel	Sheet steel	Sheet steel
Colour	Black	Black	Black	Black	Black
Acoustic rating (max)	20 dB(A)	20 dB(A)	20 dB(A)	20 dB(A)	20 dB(A)
Size	262x140x75mm	262x140x75mm	262x140x75mm	262x140x75mm	262x140x75mm
Weight	1.4kg	1.4kg	1.4kg	1.4kg	1.4kg

For current specification part numbers, please see the light source configuration tool on our website.

