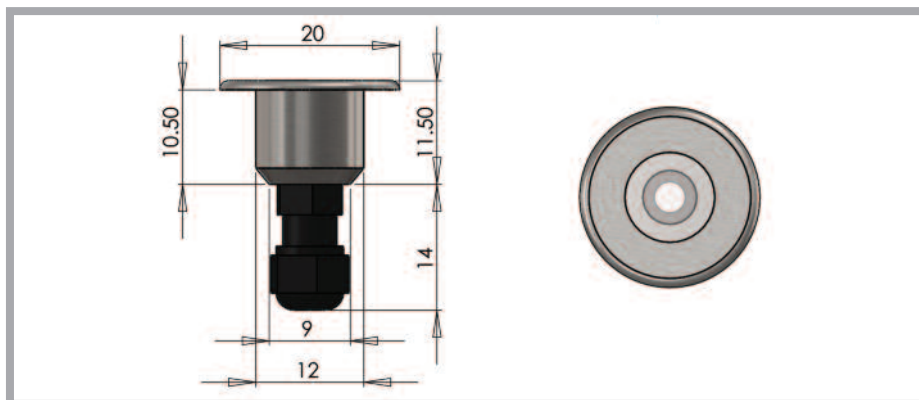


UFO P4G Submersible Paver Fitting



The P4G is a small stainless steel end fitting with clear glass window for sheathed polymer fibre of 1.5mm to 2mm active diameter.

It comes fitted with a nickel-plated brass gland to allow for connection to the fibre and to prevent moisture ingress below the lens.

Description	
Glass	Clear flat window
Beam angle	65°
Material	Stainless steel
Colours available	Natural
Flange size	20 mm
Weight	12 g
Mounting hole size	12 mm
Ferrule size	N/A
Min. fibre size	1.5 mm
Max. fibre size	2 mm

The P4G is suitable for use in swimming pool floors and other wet areas to give a starfield like effect, either indoors or outdoors.

It can also be used in pathways or paved areas to give a similar effect.