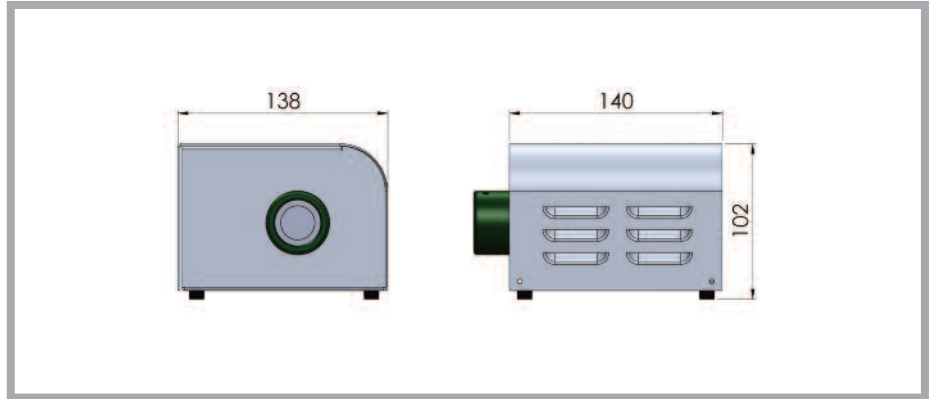


Light Source Specification



UFO Mercury LED Light Source



The UFO Mercury light source is a powerful, yet efficient fibre optic light source, powered by LED technology.

Powerful light output combined with cool and near silent operation make this unit the obvious choice for illuminating exhibits in museums, galleries and exhibitions.

With a 40,000 hour lamp life, and cool quiet running, maintenance costs are reduced to almost nil.

Maximum flexibility is ensured with optional DMX control, in-built 0-10V dimming system and DALI control.

With a standard 30mm fibre port connector, this light source is suitable for retro-fitting to existing fibre optic installations.

Description	
Port connector size	30mm diameter
Fibre type	Glass/Polymer
Supply voltage	100-240 VAC 50/60 Hz
Power consumption	<52W
Power cord	External 36VDC PSU
Lamp type	LED
Lamp CRI	>91
Lamp color temperature	3050K
Lamp life	40,000 hours
Acoustic rating	20dB
Min. ambient temperature	-20°C
Max. ambient temperature	40°C
Operating environment	Indoor / dry
Protection rating	IP20
Material	Aluminium
Color	Silver anodised
Size (L x W x H)	140 x 138 x 102 mm

Like all our range, this light source is undergoing constant improvements and upgrades, so we reserve the right to alter specifications if required.