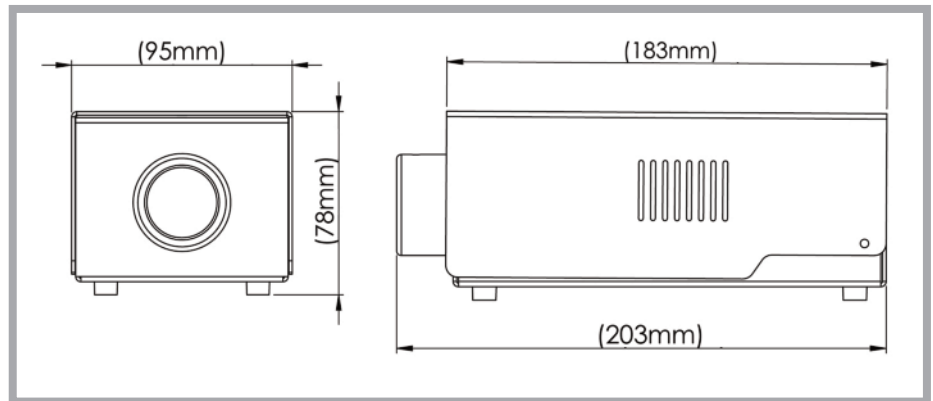
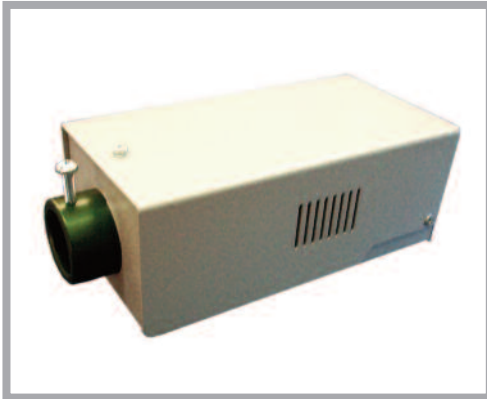


Light Source Specification



UFO Luna LED Light Source



The UFO Luna light source is a powerful, yet efficient fibre optic light source, powered by LED technology.

Powerful light output combined with cool and silent operation make this unit the obvious choice for illuminating exhibits in museums, galleries and exhibitions.

With a 50,000 hour lamp life, maintenance costs are reduced to almost nil.

Maximum flexibility is ensured with inbuilt DMX dimming, which can be used in either standalone mode or can be connected in series and controlled with a standard DMX controller.

With a standard 30mm fibre port connector, this light source is suitable for retro-fitting to existing fibre optic installations.

Available with 3000K and 4000K LED arrays to suit any application.

Description	
Port connector size	30mm diameter
Fibre type	Glass/Polymer
Supply voltage	100-240 VAC 47-63 Hz
PSU output	24V DC, 0.75A, 18W Maximum
Power cord	External 36VDC PSU
LED power	11.5W
Lamp CRI	>80
Lamp colour temperature	3000K or 4000K
Lamp life	50,000 hours
Power connection	2.1 x 5.5 x 12mm
Min. ambient temperature	-10°C
Max. ambient temperature	45°C
Operating environment	Indoor / dry
DMX	Factory addressable 1 channel dimming (0-255)
Material	Aluminium
Colour	Silver
Size (L x W x H)	203 x 95 x 78 mm

Like all our range, this light source is undergoing constant improvements and upgrades, so we reserve the right to alter specifications if required.